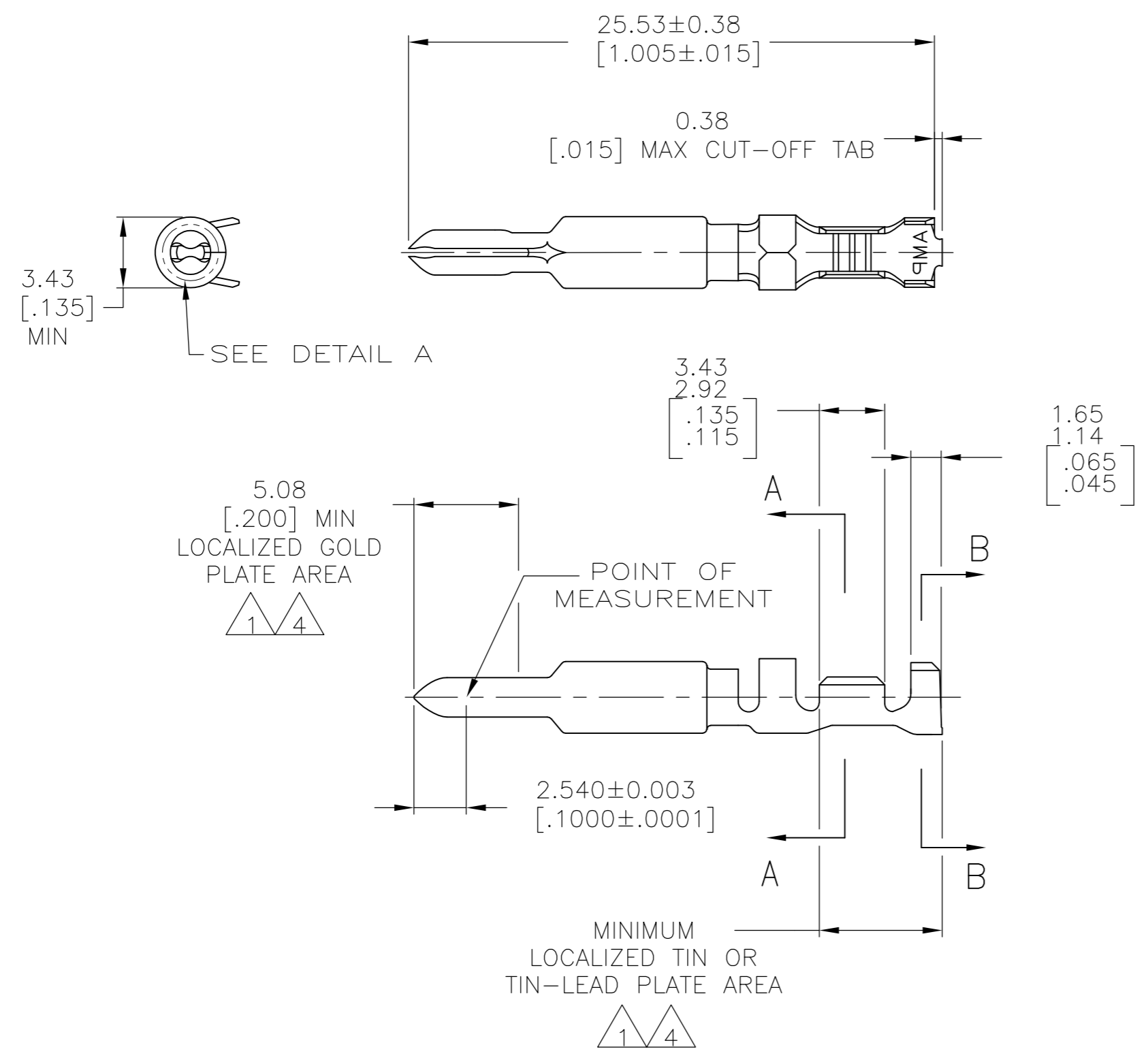
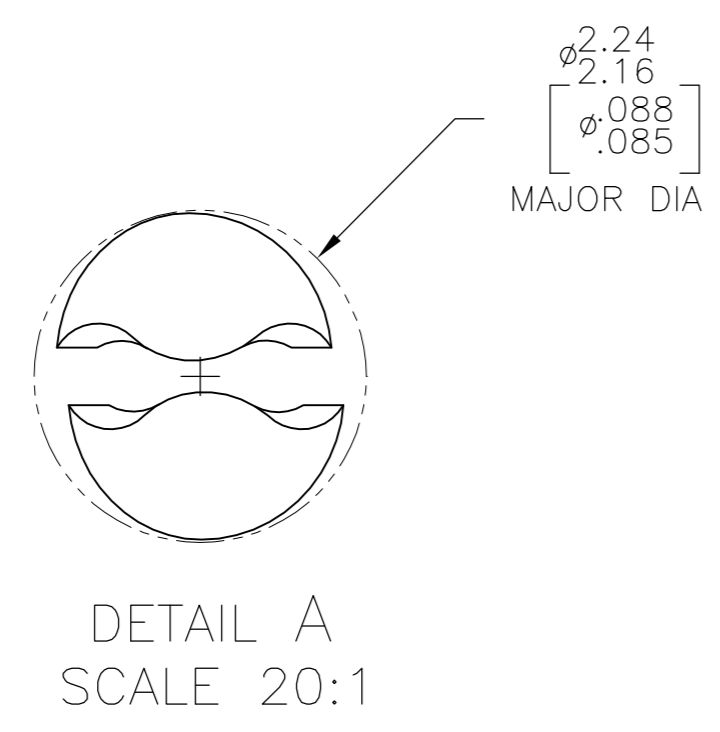
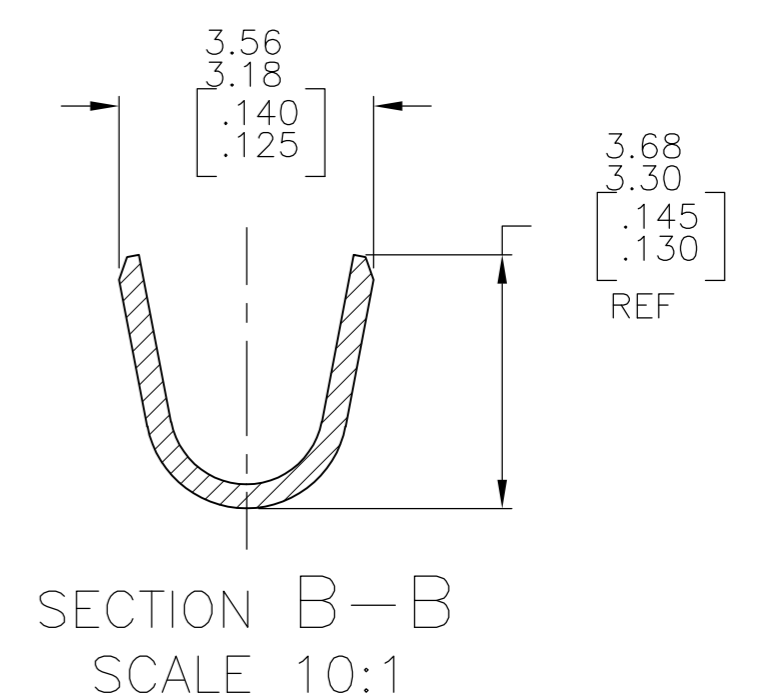
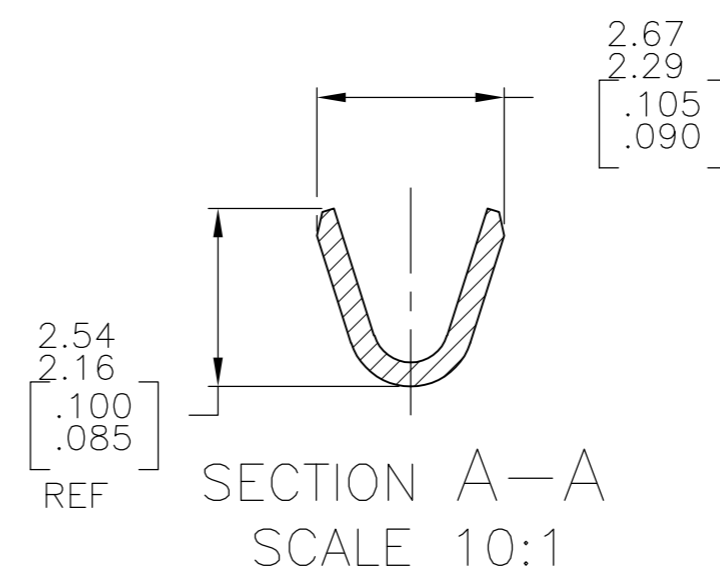


THIS DRAWING IS UNPUBLISHED. RELEASED FOR PUBLICATION
 © COPYRIGHT - By - ALL RIGHTS RESERVED.

LOC		DIST		REVISIONS			
P	LTR	DESCRIPTION		DATE	DWN	APVD	
CM	00	G		REVISED PER ECR-13-008204	10DEC2013	KH	TM



- 1 0.00076[.000030] MIN GOLD AT POINT OF MEASUREMENT IN THE LOCALIZED GOLD PLATE AREA, 0.00127[.000050] MIN TIN-LEAD IN TIN-LEAD PLATE AREA, 0.00127[.000050] MIN NICKEL UNDERPLATE ON ENTIRE CONTACT.
- 2 WIRE RANGE: 0.2-1mm² [24-18 AWG].
INSULATION RANGE: 1.02-2.54 [.040-.100] DIA.
- 3 DIMENSIONS IN BRACKETS ARE IN INCHES.
- 4 0.00076[.000030] MIN GOLD AT POINT OF MEASUREMENT IN THE LOCALIZED GOLD PLATE AREA, 0.00127[.000050] MIN TIN IN TIN PLATE AREA, 0.00127[.000050] MIN NICKEL UNDERPLATE ON ENTIRE CONTACT.
- 5 SUPERSEDED BY 1-770252-0



5	GOLD	4	0.30	[.012]	BRASS	1-770252-0
	GOLD	1	0.30	[.012]	BRASS	-770252-2-
	PRE-TIN		0.30	[.012]	BRASS	770252-1
	FINISH				MATERIAL	PART NUMBER

THIS DRAWING IS A CONTROLLED DOCUMENT.		DWN	K. WHITAKER	30SEP04	TE TE Connectivity	
DIMENSIONS: mm [INCHES]		CHK	C. JONES	30SEP04		
TOLERANCES UNLESS OTHERWISE SPECIFIED:		APVD	C. JONES	30SEP04	NAME PIN, LOOSE PIECE, UNIVERSAL MATE-N-LOK(TM) II	
0 PLC	± -	PRODUCT SPEC	-			
1 PLC	± -	APPLICATION SPEC	-			
2 PLC	± 0.13 [.005]	WEIGHT	-			
3 PLC	± -	SCALE	A2			
4 PLC	± -	CAGE CODE	00779			
ANGLES	± 0°30'	DRAWING NO	C=770252			
FINISH	-	RESTRICTED TO	-			
MATERIAL	-	SCALE	4:1			
CUSTOMER DRAWING		SHEET	1 of 1			
		REV	G			